

# Classification of forks

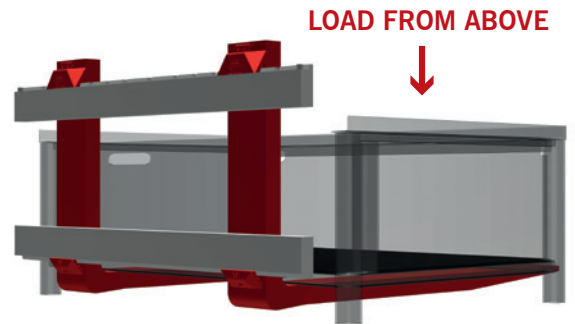
## STANDARD FORKS

Load on the fork blade from above. The upper fork hooks bear the entire load, the lower fork hooks merely serve as guide.

**Example: fork 100 x 45 mm, ISO 2A:**

Width of upper / lower fork hook: 90 mm

Capacity per pair: 2,500 kg / LC 500 mm



## REVERSE FORKS

ReverseForks may be used either with fork blade facing upwards or as standard fork. Upper and lower hook are designed identically and equipped with locking devices. The cross-section is customized on requirements and load capacities.

**Example: fork 100 x 45 mm, ISO 2A:**

Width of upper / lower fork hook: 110 mm

(both fork hooks with locking device)

Capacity per pair: 2,000 kg / LC 500 mm

For higher load capacity, the fork heel area should be reinforced by bracing plates.



Application for special load carriers

**Attention: Never use StandardForks as ReverseForks!**

## FORKS FOR ROTATORS

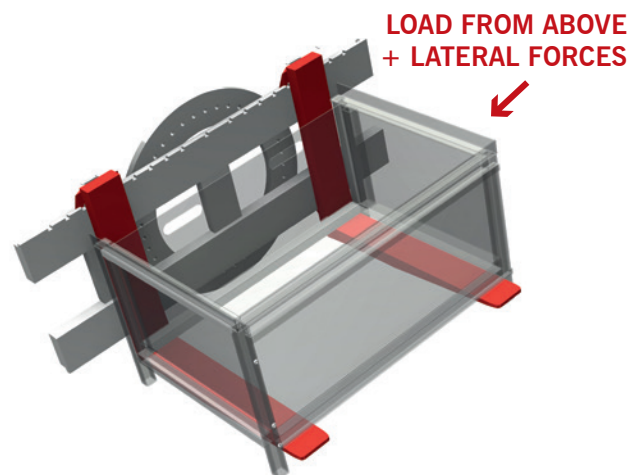
When mounted to rotators, forks are exposed to high lateral forces. Depending on the position the **entire load rests on one fork.**

Therefore, it is essential that forks for rotators are customized with reinforced lower hook. Please contact us!

**Example: fork 100 x 45 mm, ISO 2A:**

Width of upper / lower fork hook: 140 mm

Capacity per pair: 2,500 kg / LC 600 mm



For your own safety, please have your ReverseForks and forks for rotators designed by the VETTER engineering team!

The illustrations only represent the basic principles and do not constitute a contractual entitlement. Technical information will not be updated automatically.